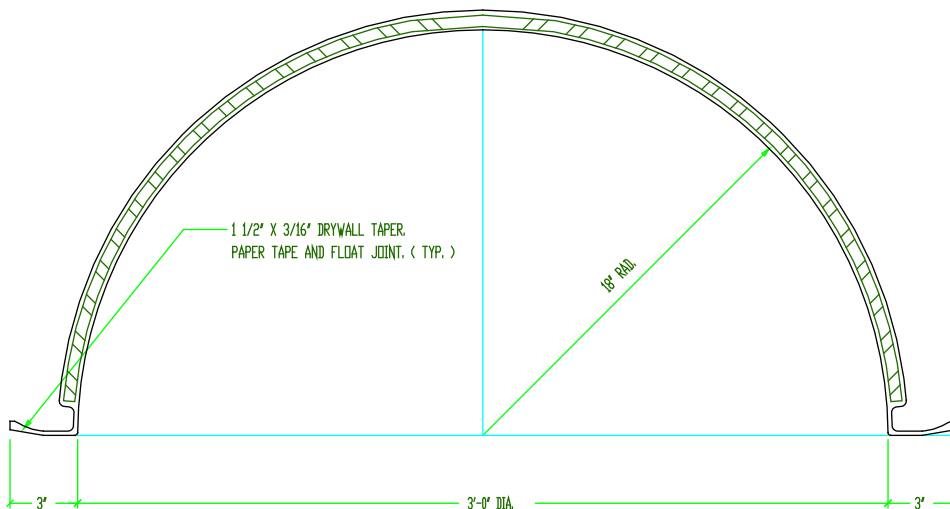


REFLECTED VIEW PT# C3



DOME SECTION

NOT TO SCALE

PLASTRGLAS
Architectural Fabrications

Architectural Fabrications
WEATHR ROK GRC
by *Plastrglas, Inc.*
Setting the Standard

4200 N 30th St. Omaha, NE 68111

phone: 1-800-844-0652

fax: 1-402-451-5375

www.plastrglas.com

Mold Number
W3214C