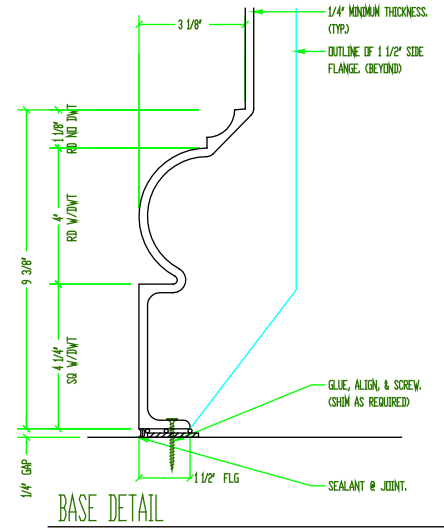
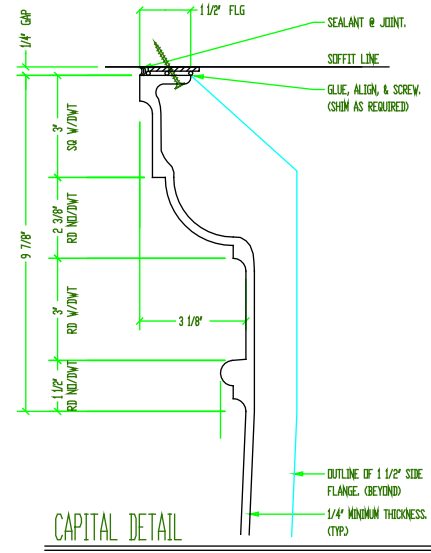


COLUMN COVER ELEVATION



NOT TO SCALE

Architectural Fabrications  
**WEATHER ROK GRC**  
 by **Plastrglas, Inc.**  
 Setting the Standard

**PLASTRGLAS**  
 Architectural Fabrications

4200 N 30th St. Omaha, NE 68111 phone: 1-800-844-0652 fax: 1-402-451-5375 www.plastrglas.com

Mold Number  
 W11527A