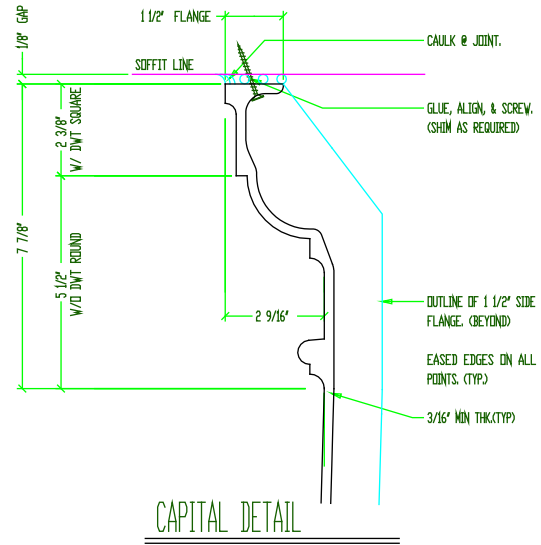
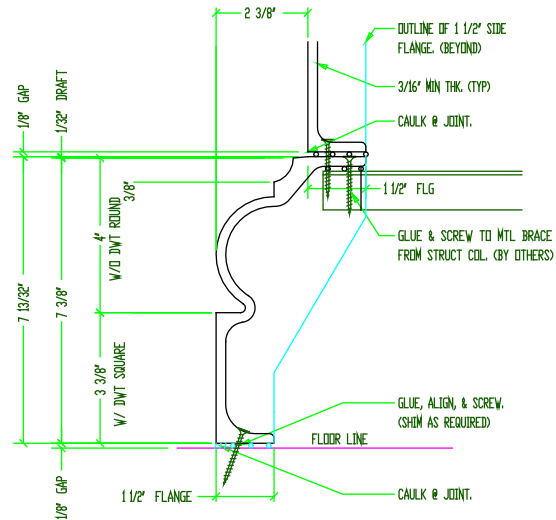


COLUMN COVER ELEVATION



CAPITAL DETAIL



BASE DETAIL

NOT TO SCALE

Architectural Fabrications
WEATHER ROK GRC
 by *Plastrglas, Inc.*
 Setting the Standard

PLASTRGLAS
 Architectural Fabrications

Mold Number
 W10768A

4200 N 30th St. Omaha, NE 68111 phone: 1-800-844-0652 fax: 1-402-451-5375 www.plastrglas.com